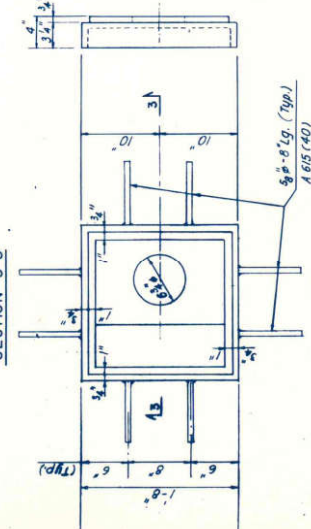
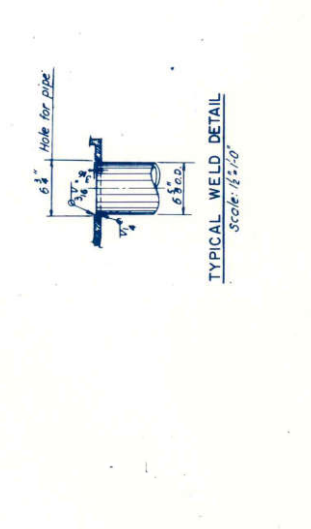
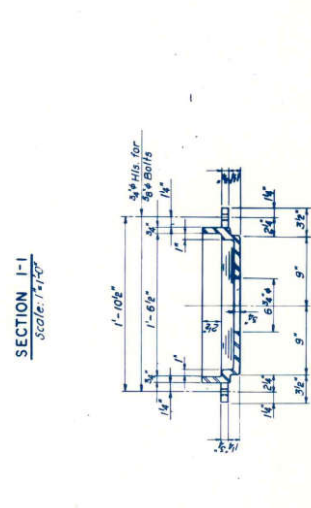
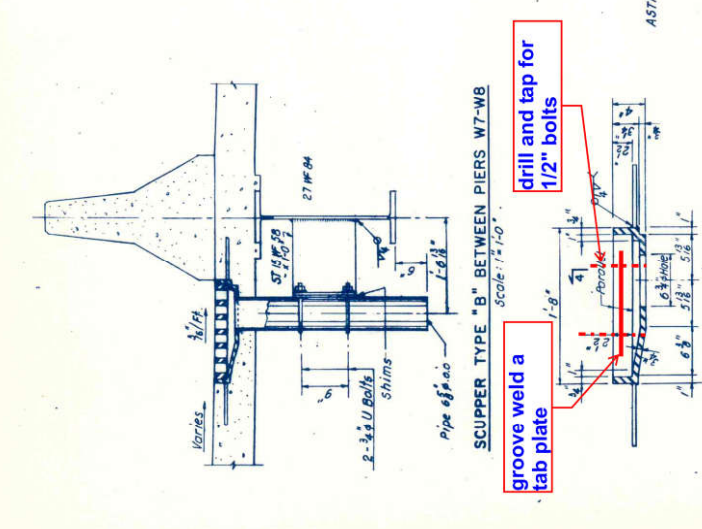
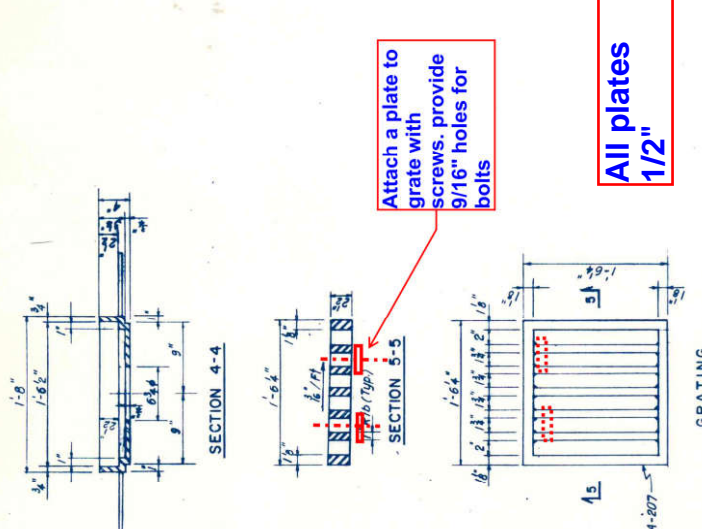
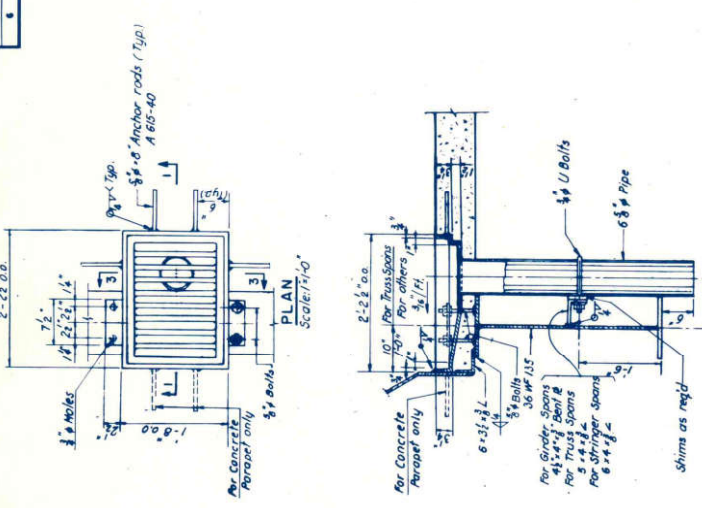
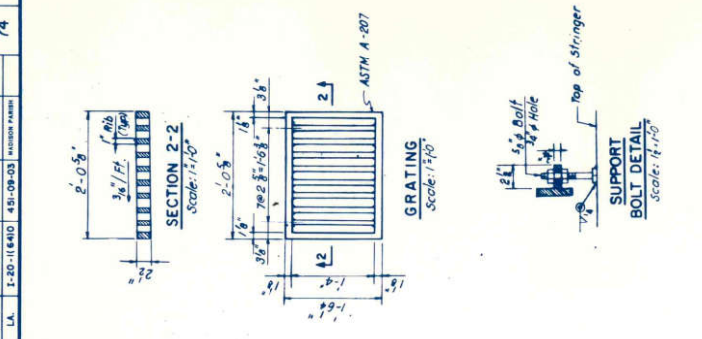


STATE	INTEGRATED PROJECT	COUNTY OR FISCAL YEAR	SHEET NO.	TOTAL SHEETS
MISS.	1-20-11640		74	114
LA.	1-20-11640	451-00-03		



NOTES:
 All drain pipe shall be 6" Std. wrought iron
 shims for scupper supports and pipe supports
 shall be galvanized steel plate
 Scupper frames shall be cast steel A 536
 Grade 65-45-12
 Gratings shall be wrought iron A 207
 Scupper, pipes and grating shall be hot
 dipped galvanized, see Special Provisions
 No painting required, set true to longitudinal
 and cross slopes of the roadway.

MISSISSIPPI STATE HIGHWAY DEPARTMENT LOUISIANA DEPARTMENT OF HIGHWAYS MISSISSIPPI RIVER BRIDGE VICKSBURG, MISSISSIPPI	
DATE: APRIL 1969	DWG. NO. 74
BY: [Signature]	SCALE: AS SHOWN
TYPICAL SCUPPER DETAILS	

SCUPPER TYPE "A"

SCUPPER TYPE "B"

E. LOVELL PAUL ENGINEERING COMPANY 1010 N. W. 11th St. Vicksburg, Miss. 39180	
--	--