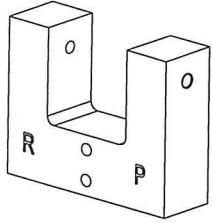
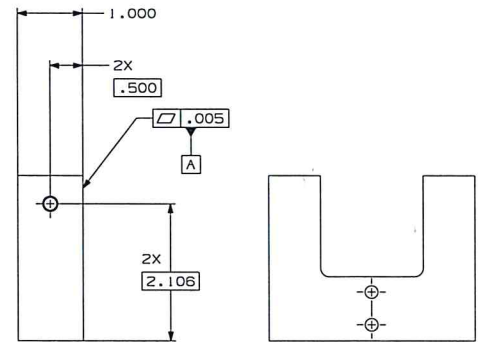
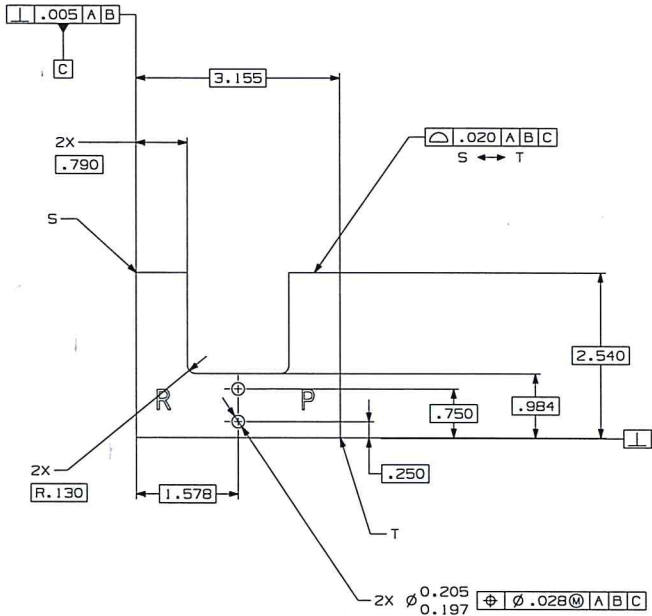
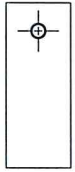


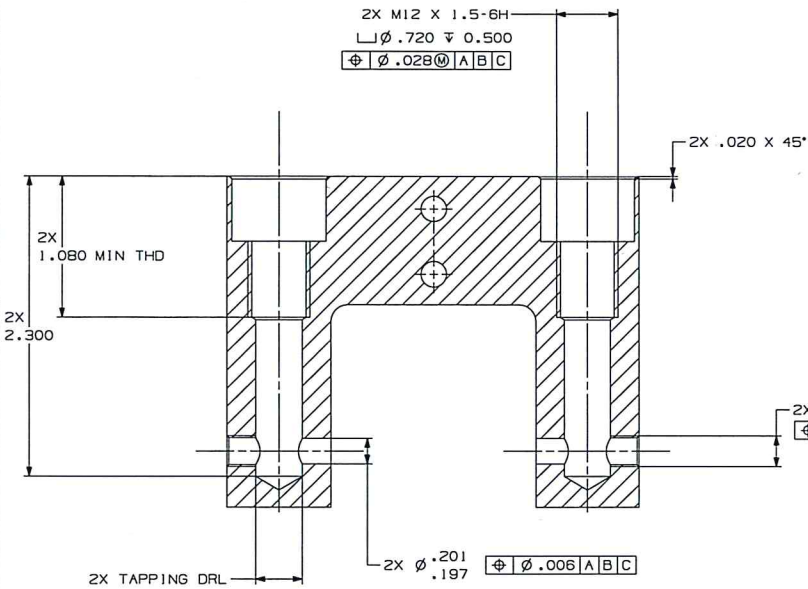
REF NO	PART NUMBER	DESCRIPTION	QTY	REMARKS



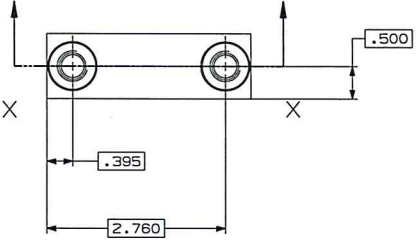
SCRAP ISOMETRIC VIEW



2X M12 X 1.5-6H
 \perp ϕ .720 \mp 0.500
 \oplus ϕ .028 @ A B C



SECTION X-X
 SCALE 2:1



AUXILIARY VIEW SHOWING LOCATION OF LASER ENGRAVING
 LASER ENGRAVE 'R' & 'P' IN POSITIONS SHOWN (THIS FACE ONLY)

