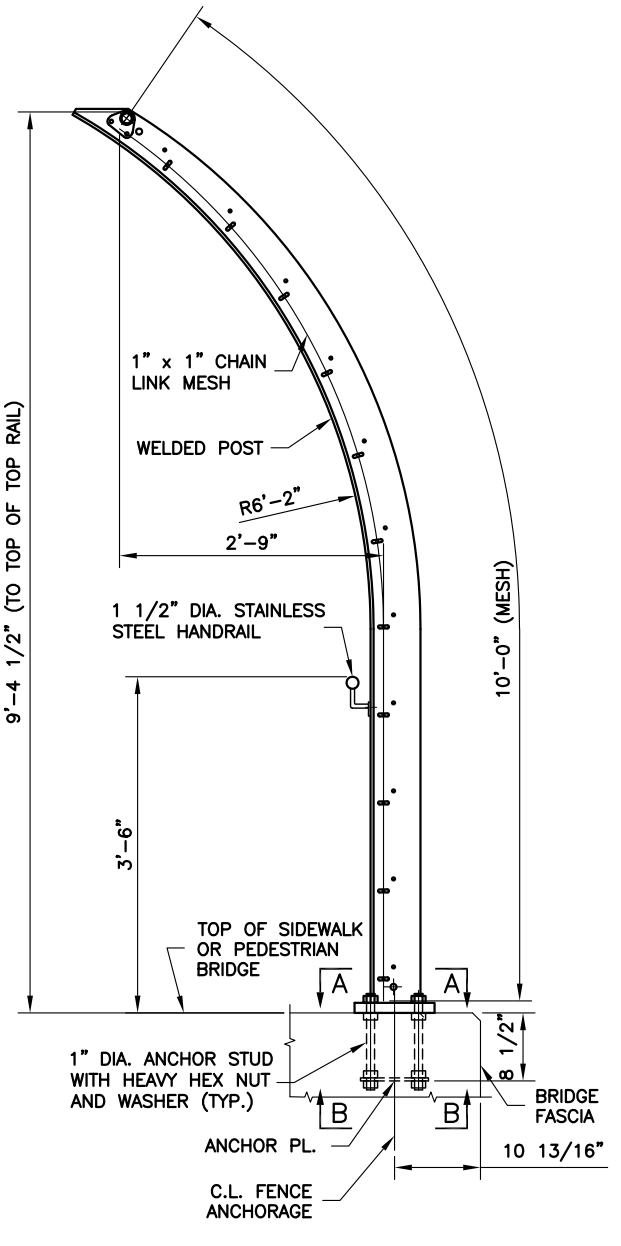


D

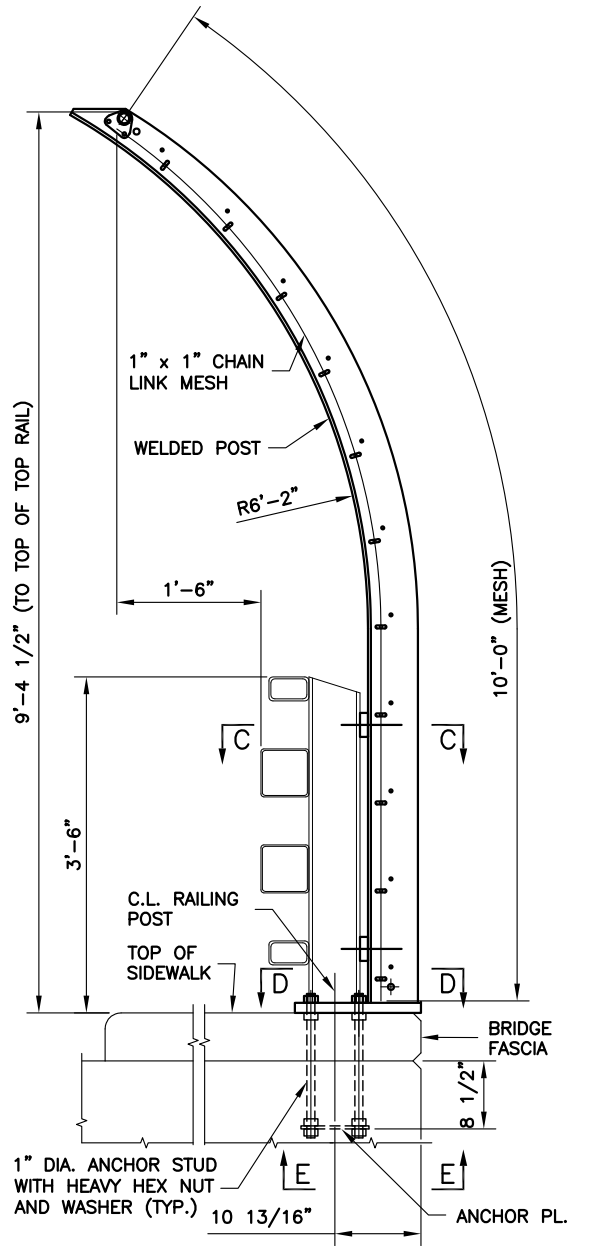
C

B

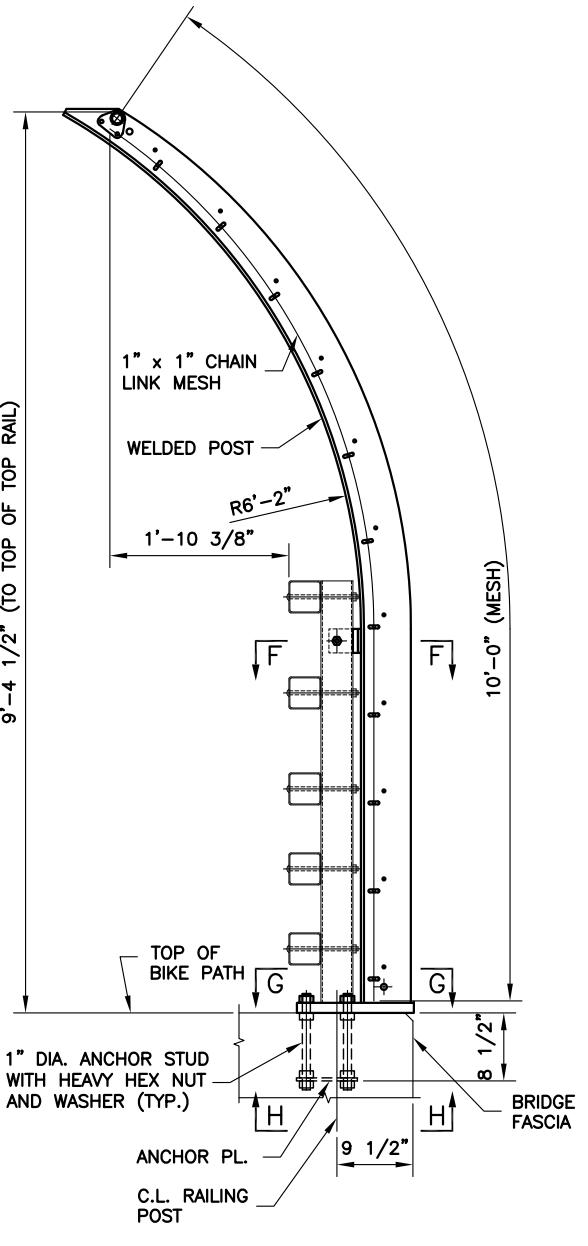
A



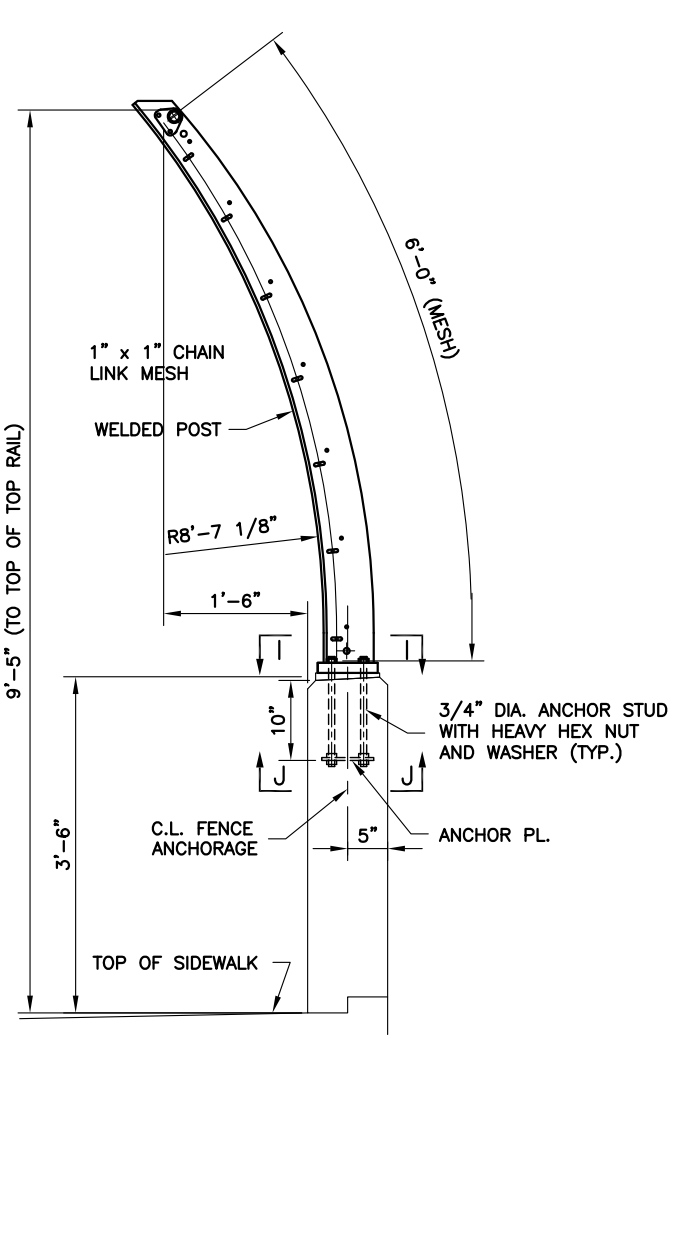
PEDESTRIAN FENCE CURVED POST WITH HANDRAIL



PEDESTRIAN FENCE CURVED POST ATTACHED TO FOUR-RAIL BRIDGE RAILING



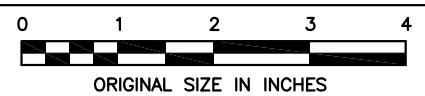
PEDESTRIAN FENCE CURVED POST ATTACHED TO BICYCLE BRIDGE RAILING



PEDESTRIAN FENCE CURVED POST ON CONCRETE PARAPET

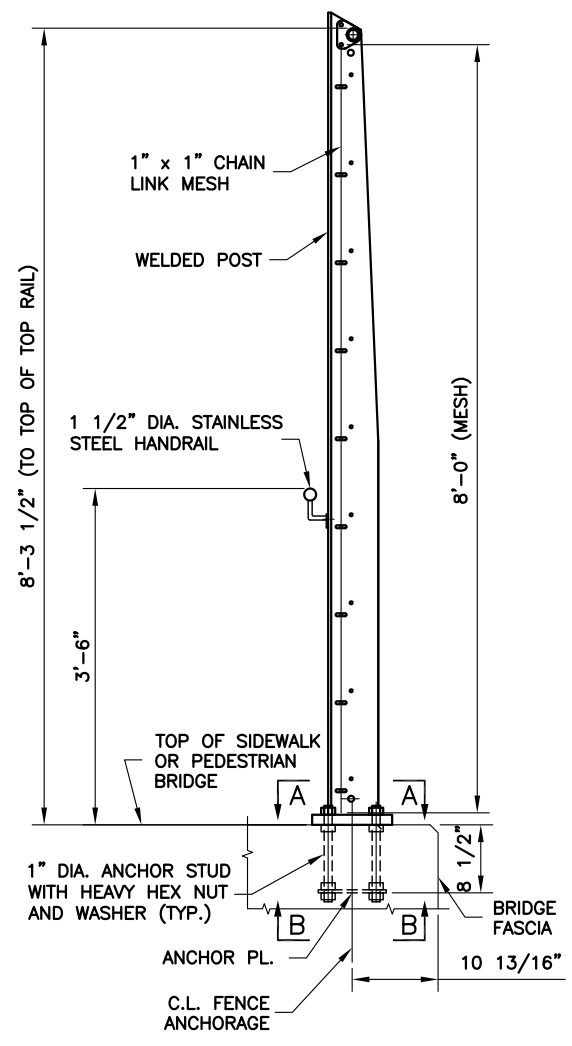


DIVISION OF BRIDGES
IN-HOUSE DESIGN
55 WATER ST., NEW YORK, N.Y. 10041

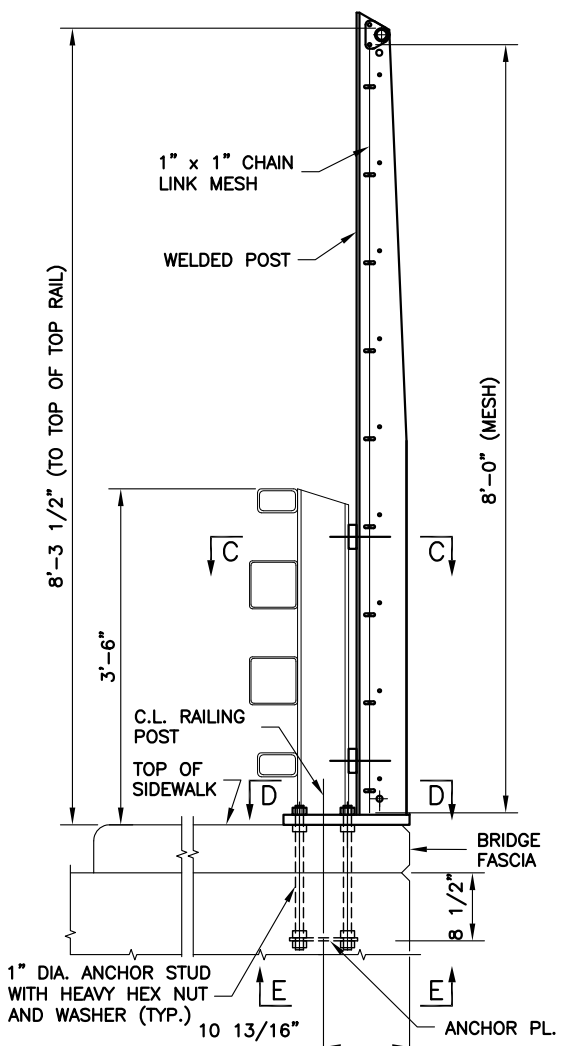


PREPARED BY F.B.J. DRAFTER L.S.
IN CHARGE L.S. CHECKER F.B.J.
DESIGNER

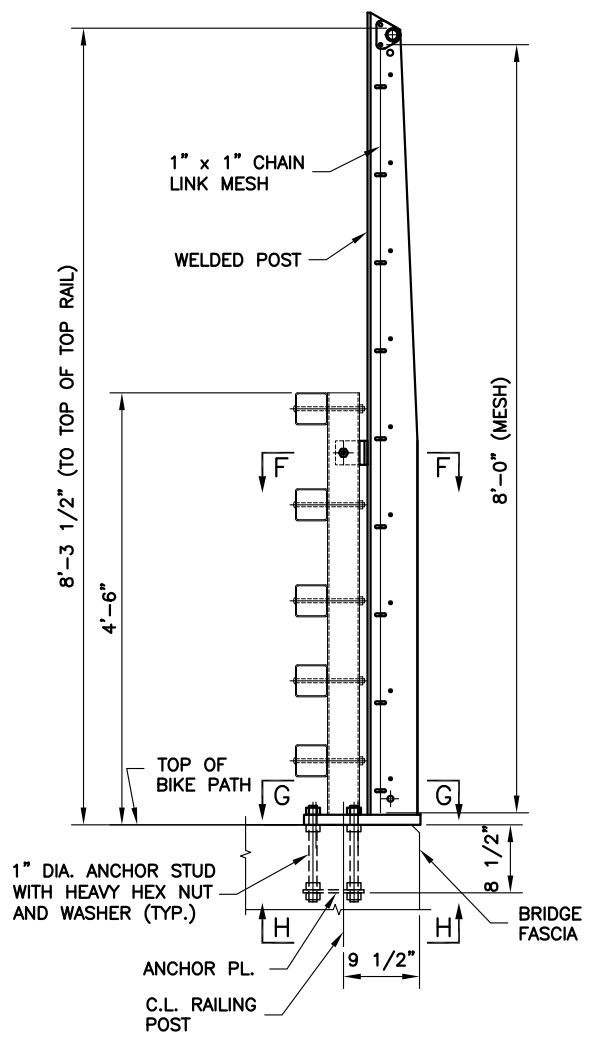
CITY OF NEW YORK DEPARTMENT OF TRANSPORTATION DIVISION OF BRIDGES			
CONTRACT NO. VARIOUS			
BOROUGH OF ALL		B.I.N. VARIOUS	
PEDESTRIAN FENCE CURVED POST TYPICAL SECTIONS			
DWG. NO. PF-1	SCALE 1"=1'-0"	DATE DEC. 24, 2015	SHEET 1 OF 6



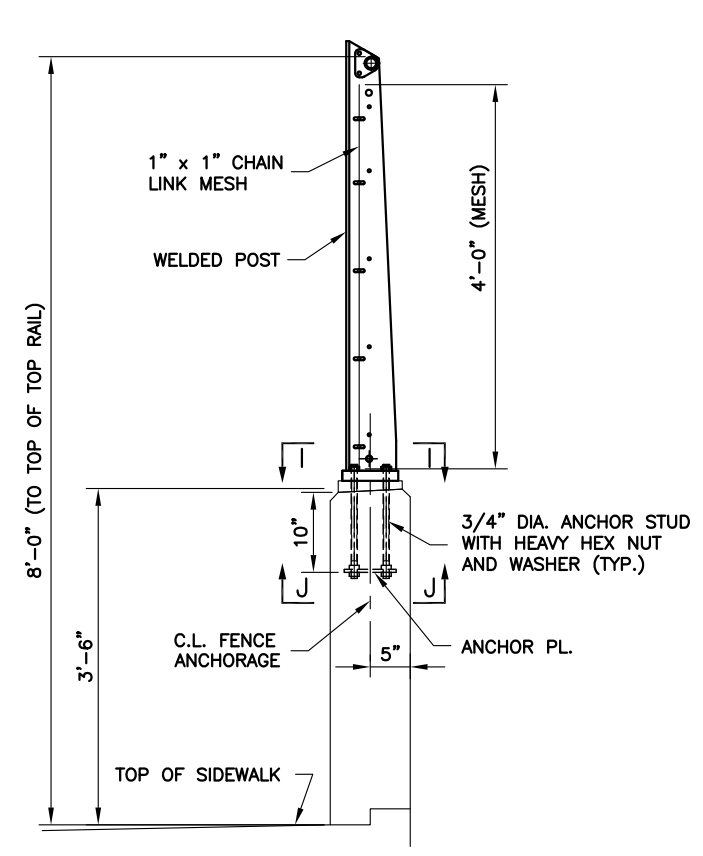
PEDESTRIAN FENCE
POST WITH HANDRAIL



PEDESTRIAN FENCE POST
ATTACHED TO FOUR-RAIL
BRIDGE RAILING



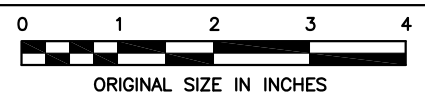
PEDESTRIAN FENCE
POST ATTACHED TO BICYCLE
BRIDGE RAILING



PEDESTRIAN FENCE POST
ON CONCRETE PARAPET

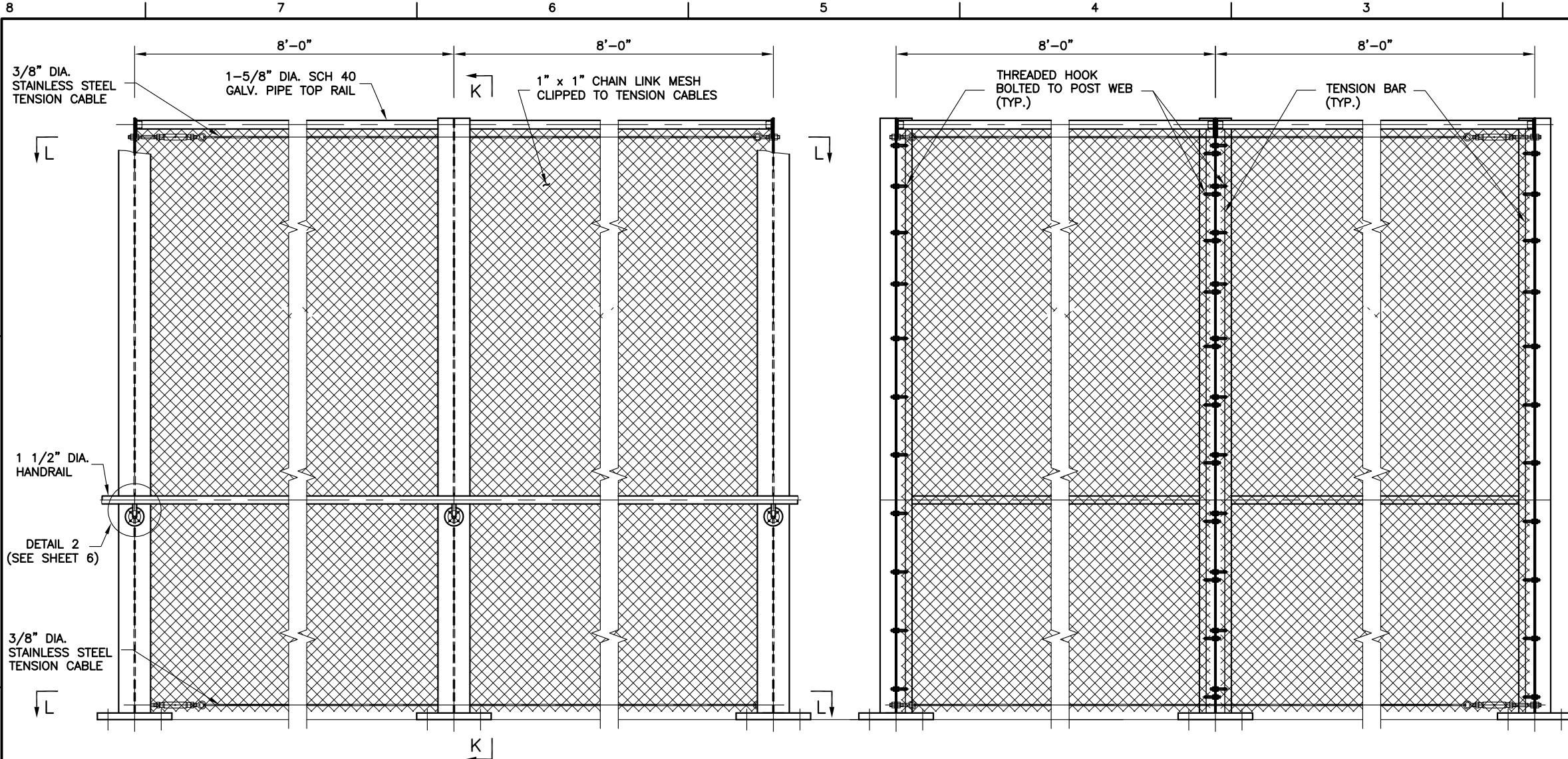


DIVISION OF BRIDGES
IN-HOUSE DESIGN
55 WATER ST., NEW YORK, N.Y. 10041



PREPARED BY _____
IN CHARGE F.B.J. DRAFTER L.S.
DESIGNER L.S. CHECKER F.B.J.

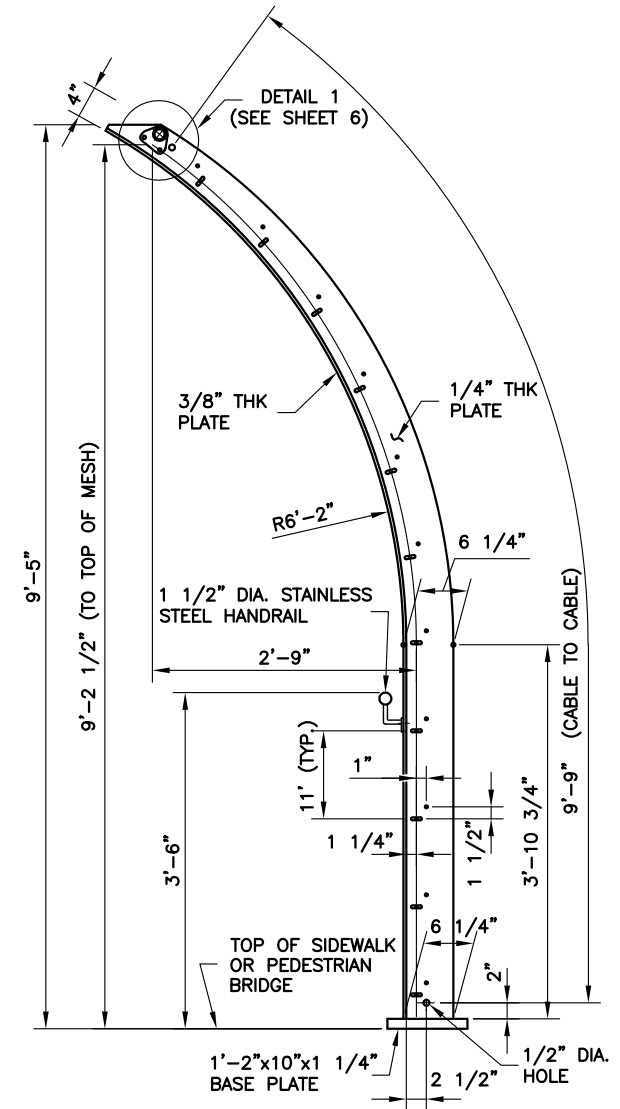
CITY OF NEW YORK DEPARTMENT OF TRANSPORTATION DIVISION OF BRIDGES			
CONTRACT NO. VARIOUS			
BOROUGH OF ALL		B.I.N. VARIOUS	
PEDESTRIAN FENCE STRAIGHT POST TYPICAL SECTIONS			
DWG. NO. PF-2	SCALE 1"=1'-0"	DATE DEC. 24, 2015	SHEET 2 OF 6



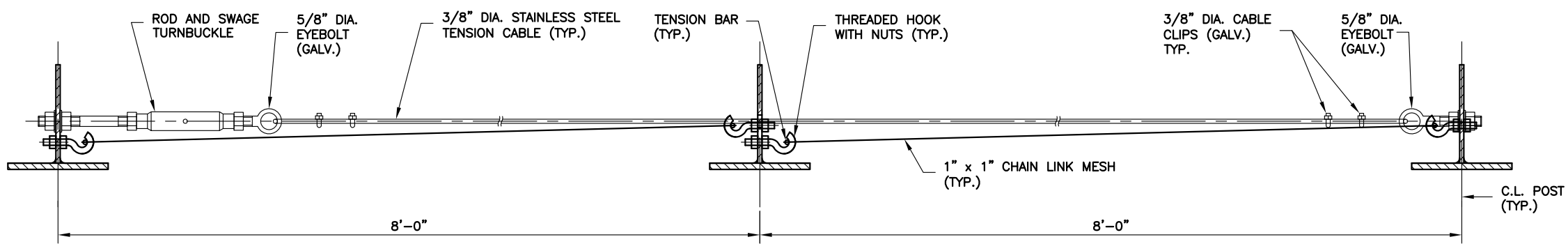
VIEW FROM SIDEWALK
SCALE: 1"=1'-0"

TYPICAL FENCE SEGMENT

VIEW FROM FASCIA
SCALE: 1"=1'-0"



SECTION K-K
SCALE: 1"=1'-0"



SECTION L-L
SCALE: 3"=1'-0"

CITY OF NEW YORK
DEPARTMENT OF TRANSPORTATION
DIVISION OF BRIDGES

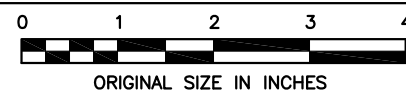
CONTRACT NO. VARIOUS

BOROUGH OF ALL B.I.N. VARIOUS

PEDESTRIAN FENCE
CURVED POST WITH HANDRAIL



DIVISION OF BRIDGES
IN-HOUSE DESIGN
55 WATER ST., NEW YORK, N.Y. 10041



PREPARED BY F.B.J. DRAFTER L.S.
IN CHARGE L.S. CHECKER F.B.J.
DESIGNER

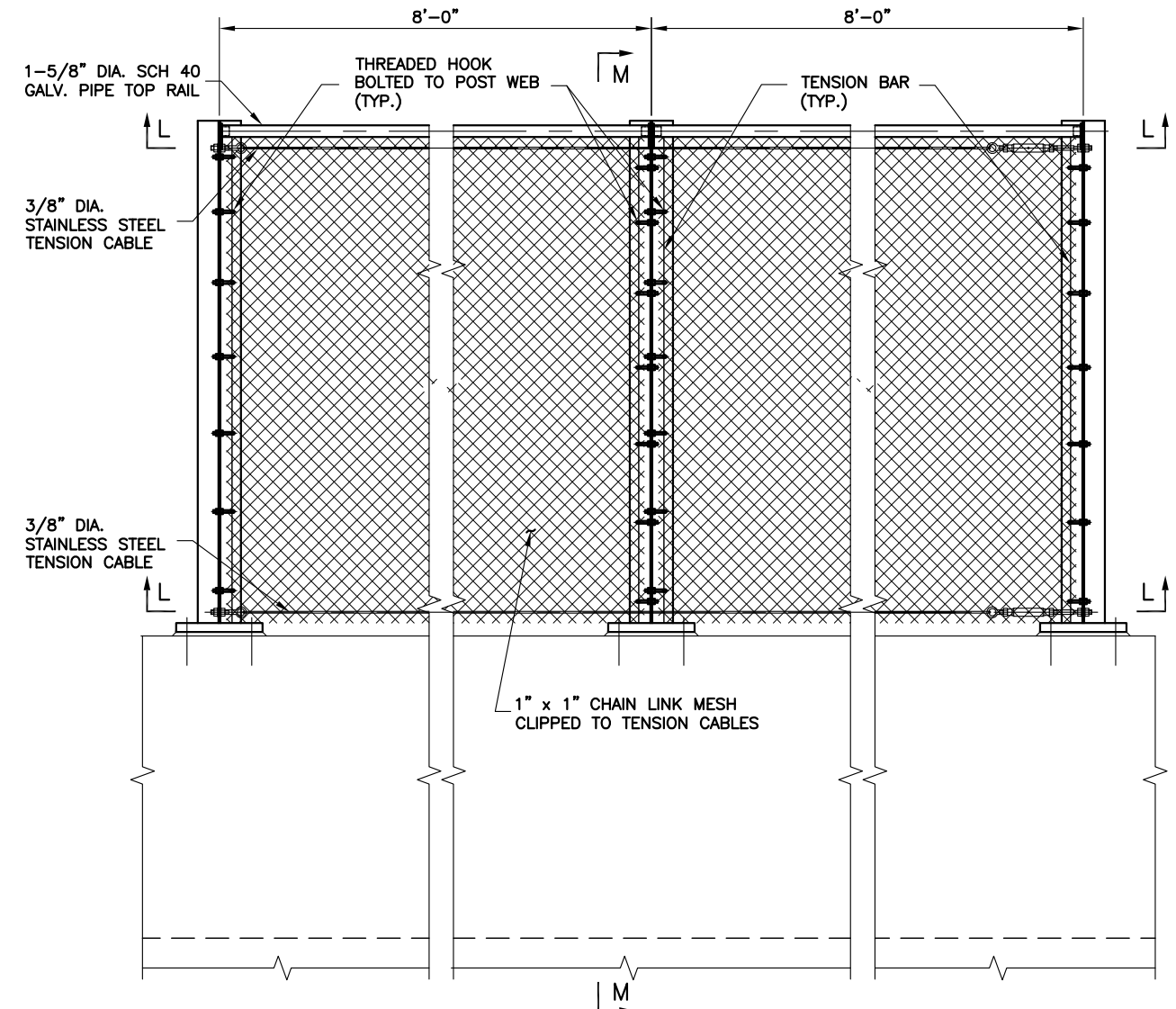
DWG. NO. PF-3	SCALE AS NOTED	DATE DEC. 24, 2015	SHEET 3 OF 6
------------------	-------------------	-----------------------	-----------------

D

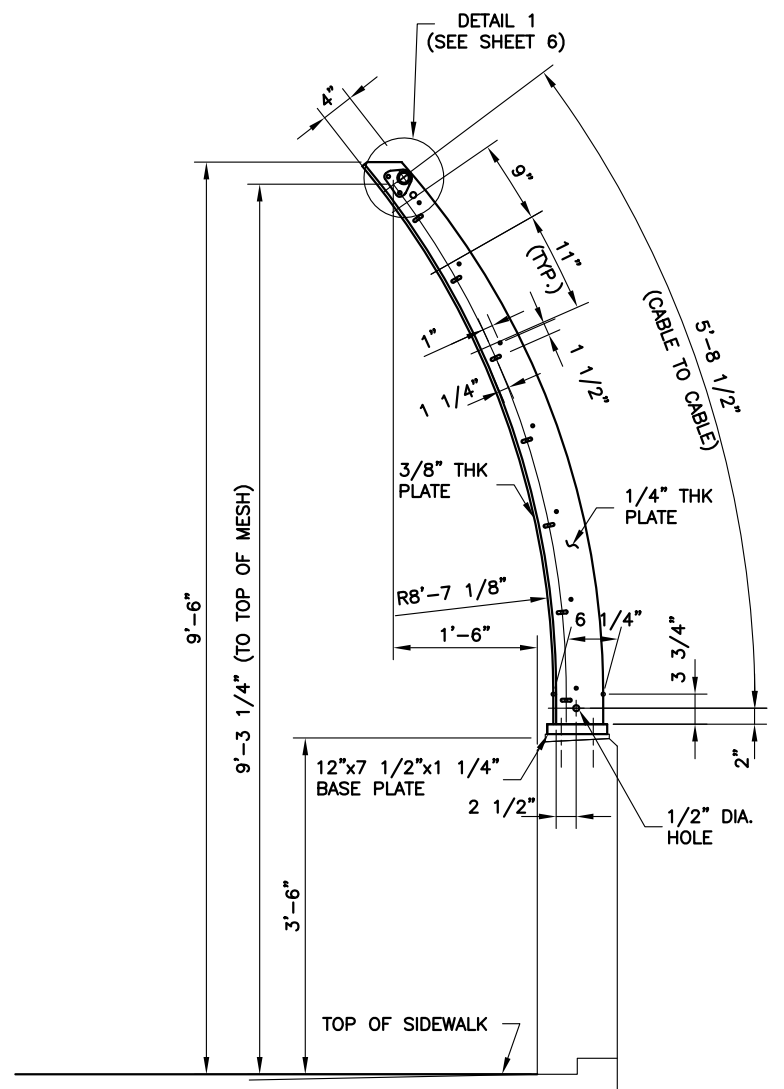
C

B

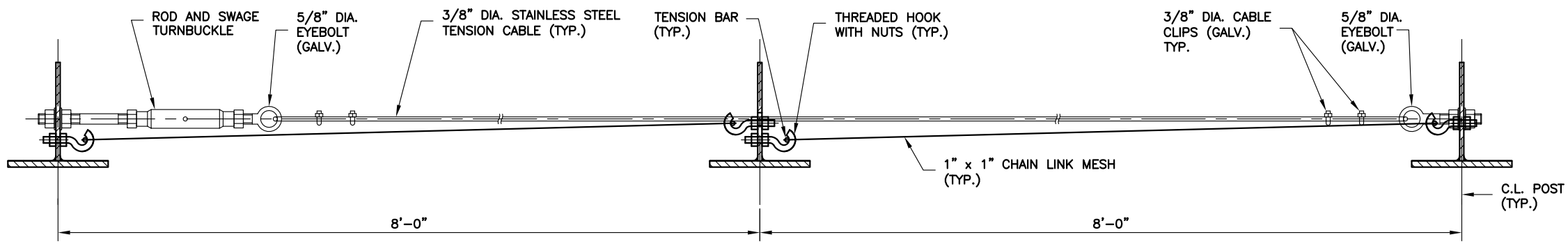
A



TYPICAL FENCE SEGMENT (VIEW FROM FASCIA)
SCALE: 1"=1'-0"



SECTION M-M
SCALE: 1"=1'-0"

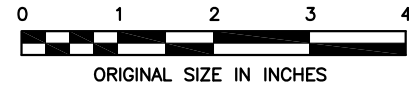


SECTION L-L
SCALE: 3"=1'-0"

CITY OF NEW YORK DEPARTMENT OF TRANSPORTATION DIVISION OF BRIDGES			
CONTRACT NO. VARIOUS			
BOROUGH OF ALL		B.I.N. VARIOUS	
PEDESTRIAN FENCE CURVED POST ON VERTICAL FACED PARAPET			
DWG. NO. PF-4	SCALE AS NOTED	DATE DEC. 24, 2015	SHEET 4 OF 6

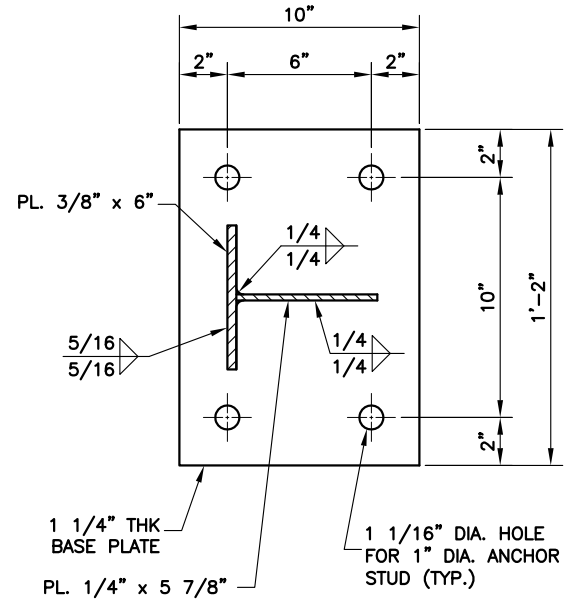


DIVISION OF BRIDGES
IN-HOUSE DESIGN
55 WATER ST., NEW YORK, N.Y. 10041

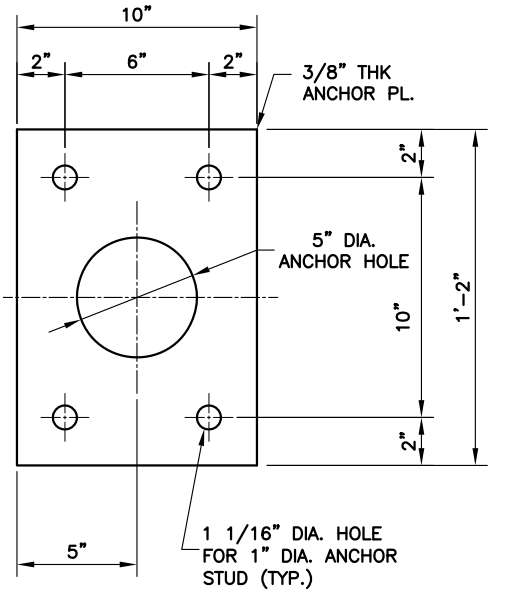


PREPARED BY F.B.J. DRAFTER L.S.
IN CHARGE L.S. CHECKER F.B.J.

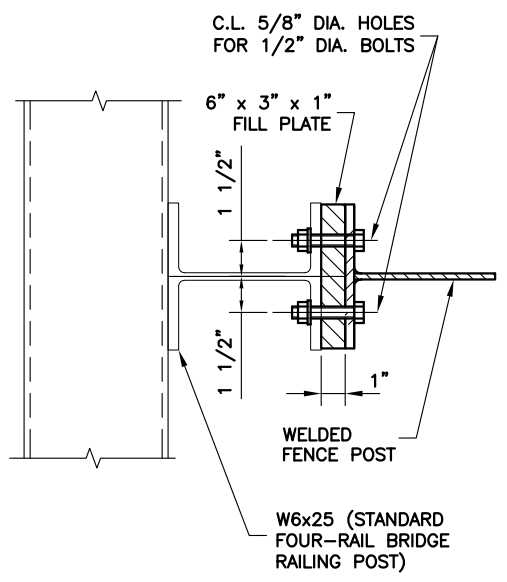
D



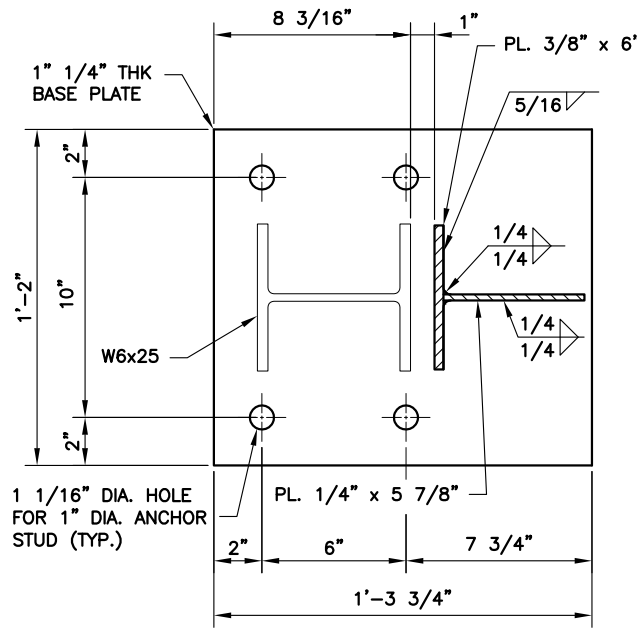
SECTION A-A



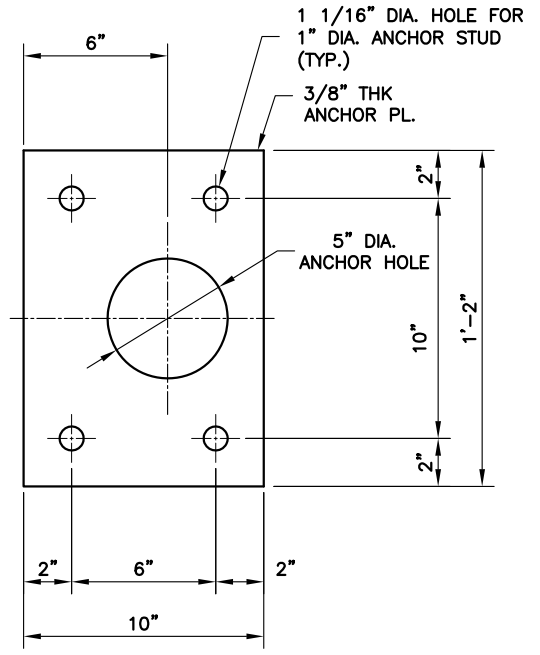
SECTION B-B



SECTION C-C

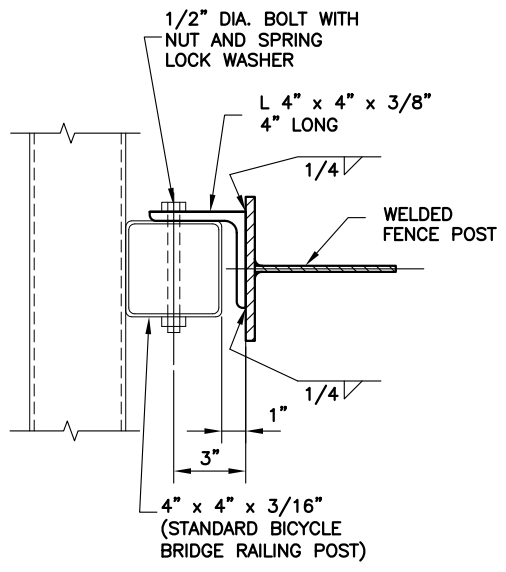


SECTION D-D

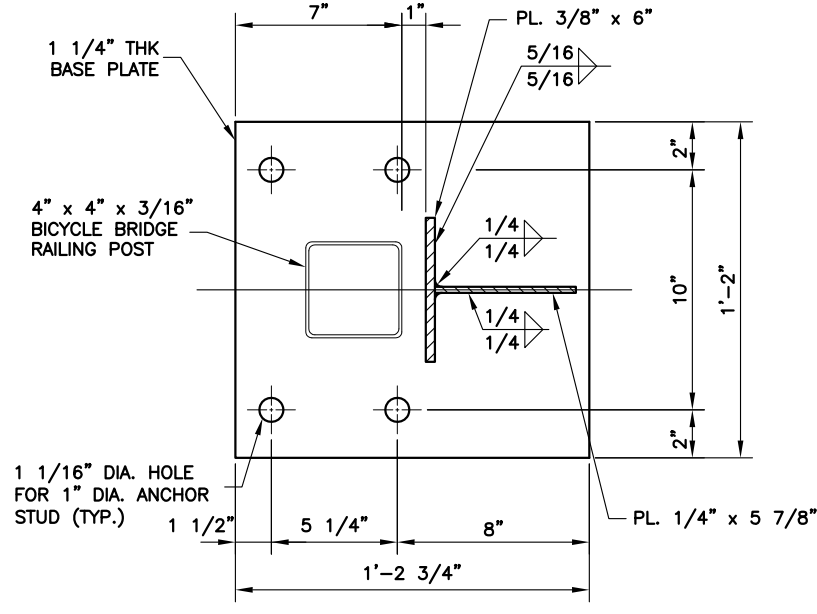


SECTION E-E

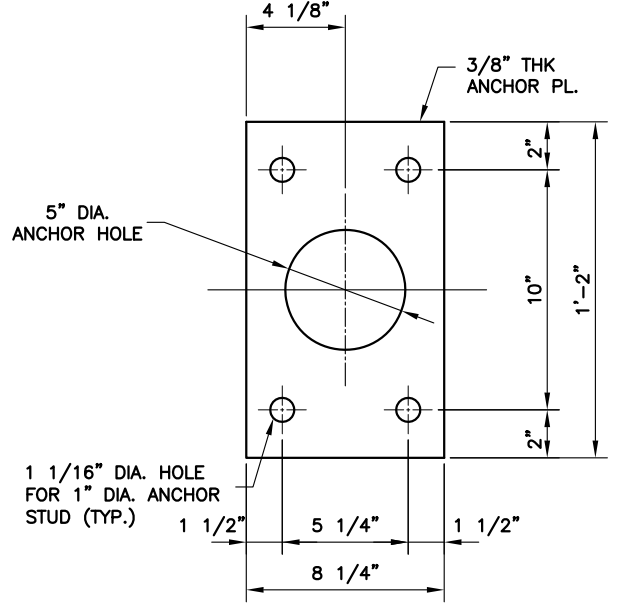
B



SECTION F-F



SECTION G-G

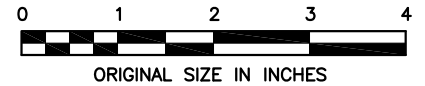


SECTION H-H

A

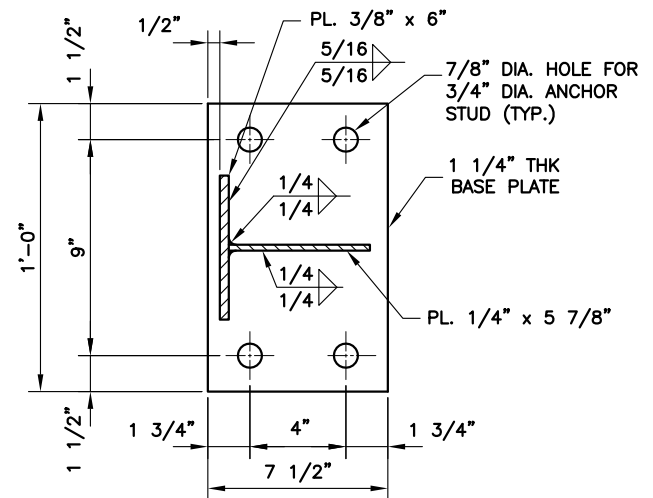


DIVISION OF BRIDGES
IN-HOUSE DESIGN
55 WATER ST., NEW YORK, N.Y. 10041

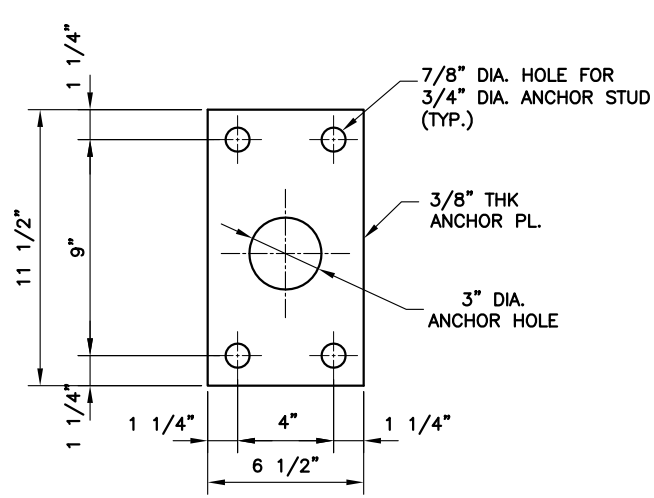


PREPARED BY F.B.J. DRAFTER L.S.
IN CHARGE L.S. CHECKER F.B.J.

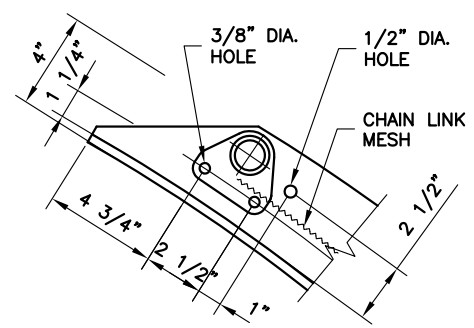
CITY OF NEW YORK DEPARTMENT OF TRANSPORTATION DIVISION OF BRIDGES			
CONTRACT NO. VARIOUS			
BOROUGH OF ALL		B.I.N. VARIOUS	
PEDESTRIAN FENCE DETAILS-1			
DWG. NO. PF-5	SCALE 3"=1'-0"	DATE DEC. 24, 2015	SHEET 5 OF 6



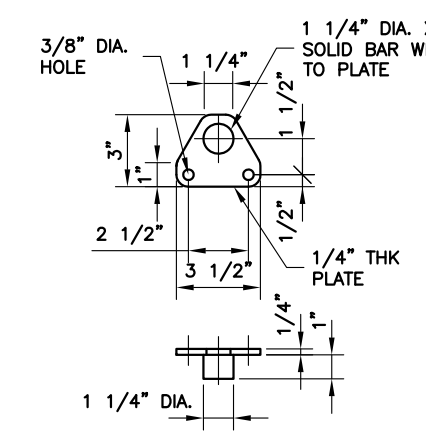
SECTION I-I
SCALE: 3"=1'-0"



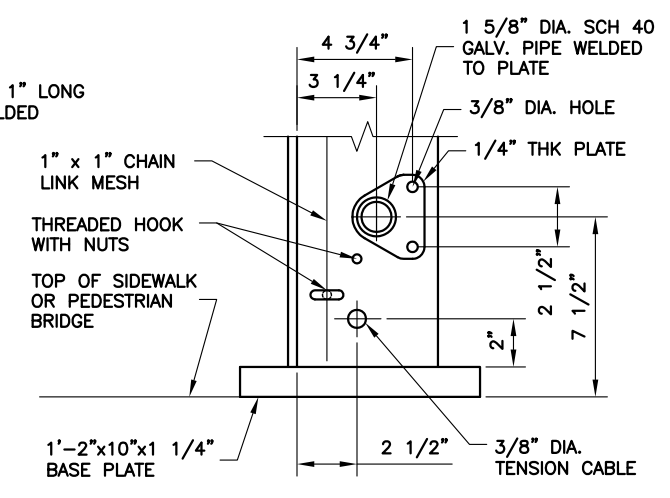
SECTION J-J
SCALE: 3"=1'-0"



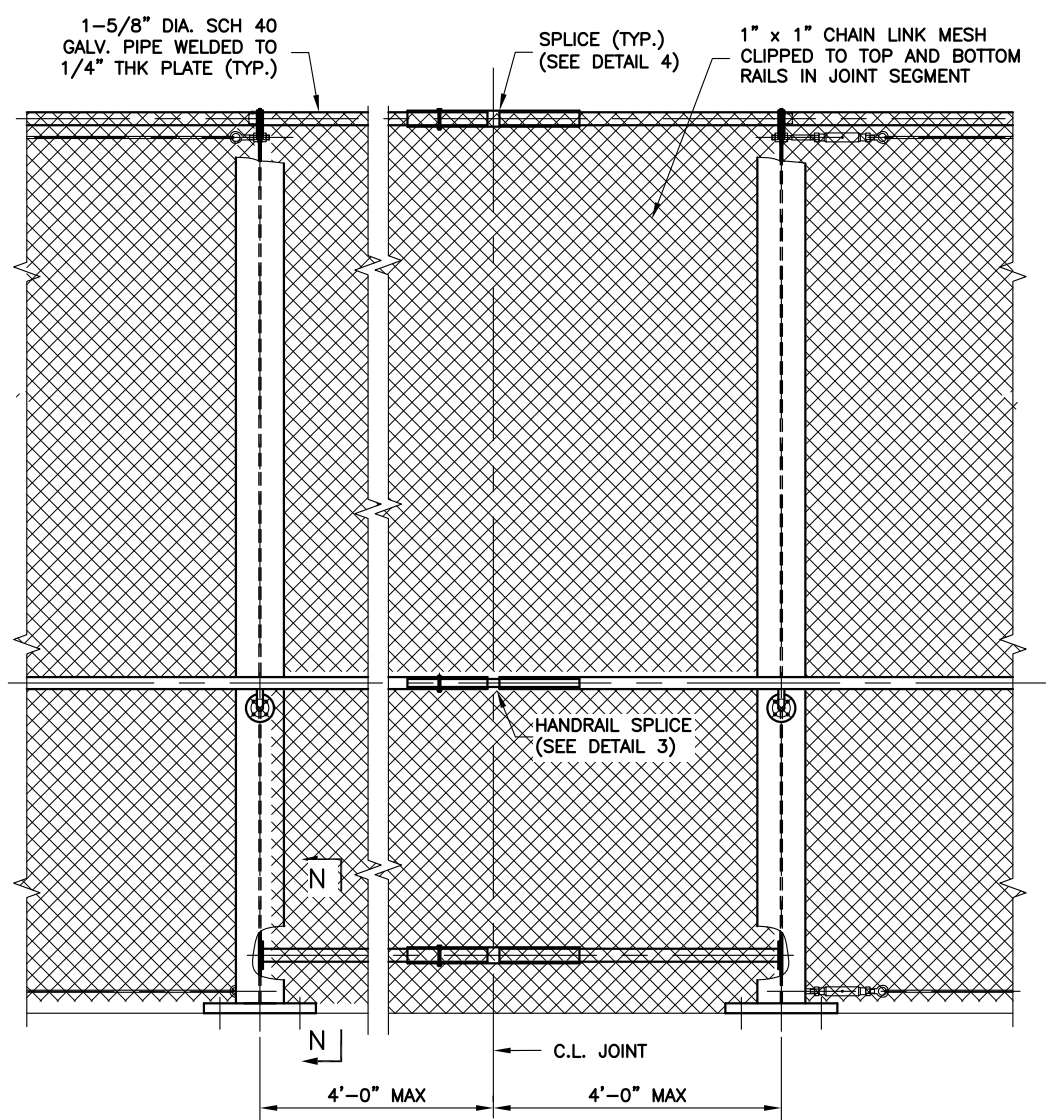
DETAIL 1
SCALE: 3"=1'-0"



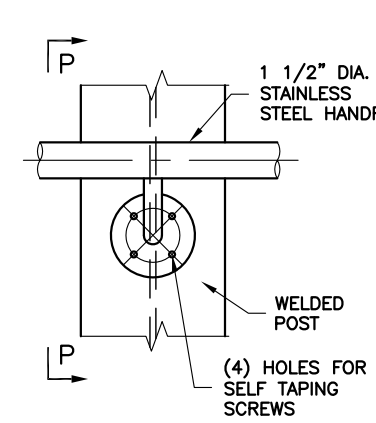
MOUNT FOR TOP RAIL
SCALE: 3"=1'-0"



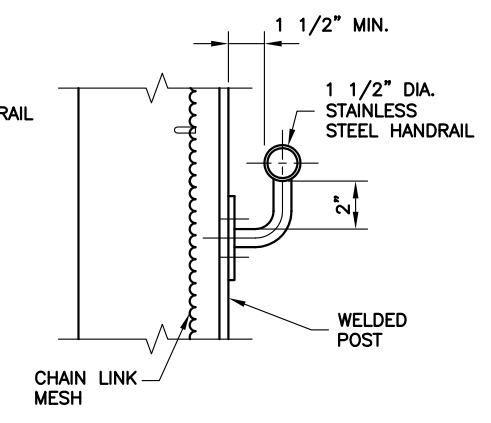
SECTION N-N
SCALE: 3"=1'-0"



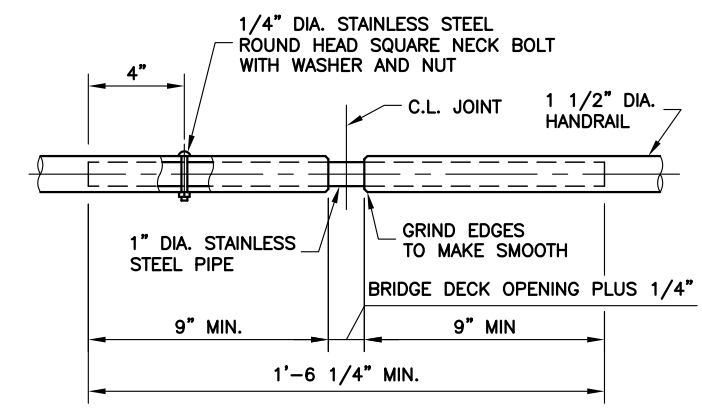
TYPICAL SPLICE DETAIL
AT EXPANSION JOINT
(FENCE WITH HANDRAIL SHOWN)
SCALE: 1"=1'-0"



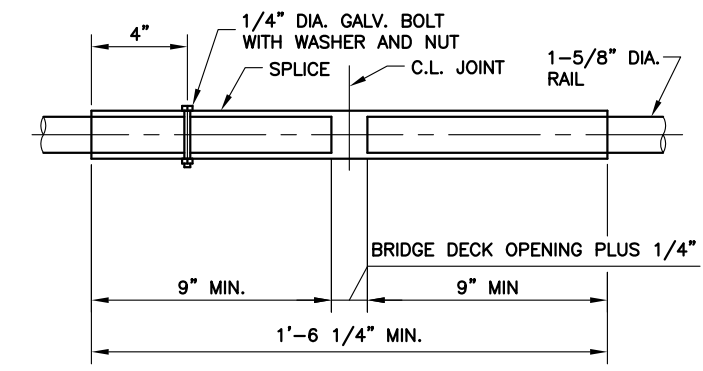
DETAIL 2
SCALE: 3"=1'-0"



SECTION P-P
SCALE: 3"=1'-0"



DETAIL 3
(HANDRAIL SPLICE)
SCALE: 3"=1'-0"

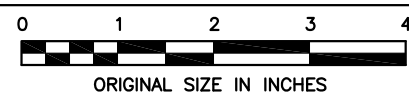


DETAIL 4
(TOP AND BOTTOM RAIL SPLICE)
SCALE: 3"=1'-0"

CITY OF NEW YORK DEPARTMENT OF TRANSPORTATION DIVISION OF BRIDGES			
CONTRACT NO. VARIOUS			
BOROUGH OF ALL		B.I.N. VARIOUS	
PEDESTRIAN FENCE DETAILS-2			
DWG. NO. PF-6	SCALE AS NOTED	DATE DEC. 24, 2015	SHEET 6 OF 6



DIVISION OF BRIDGES
IN-HOUSE DESIGN
55 WATER ST., NEW YORK, N.Y. 10041



PREPARED BY F.B.J. DRAFTER L.S.
IN CHARGE L.S. CHECKER F.B.J.