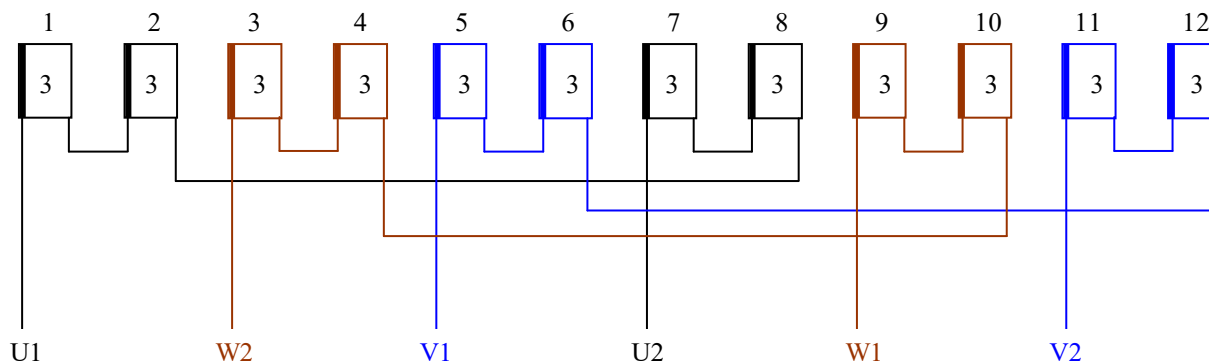
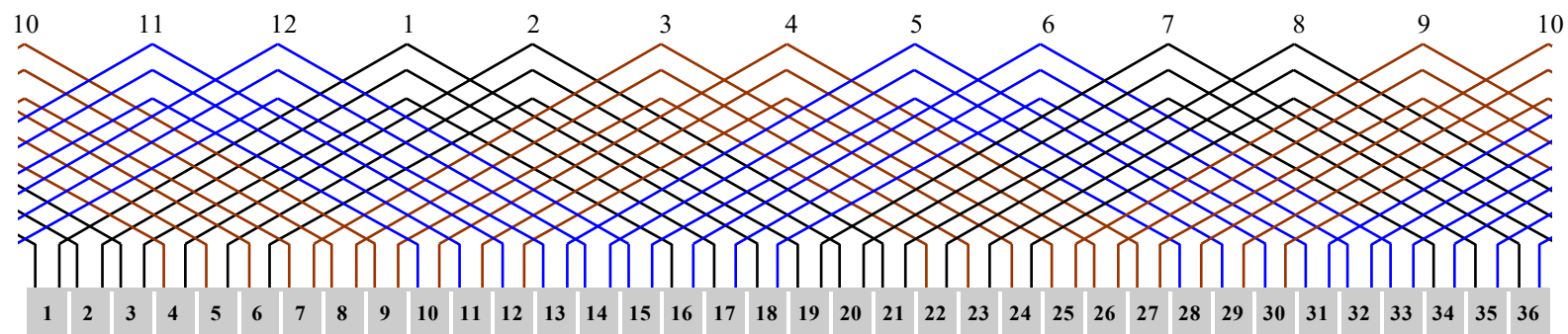


**Three-phase, concentric, double-layer winding for 36 slots and 2 poles, (q = 6 ), serial connection.  
Span: 1-18, 2-17, 3-16**



$$\tau_d = 0,29 \%$$