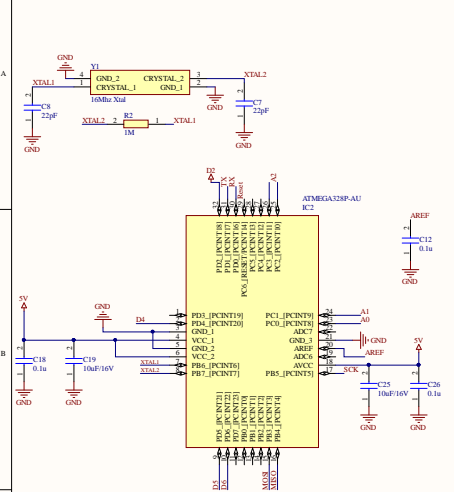
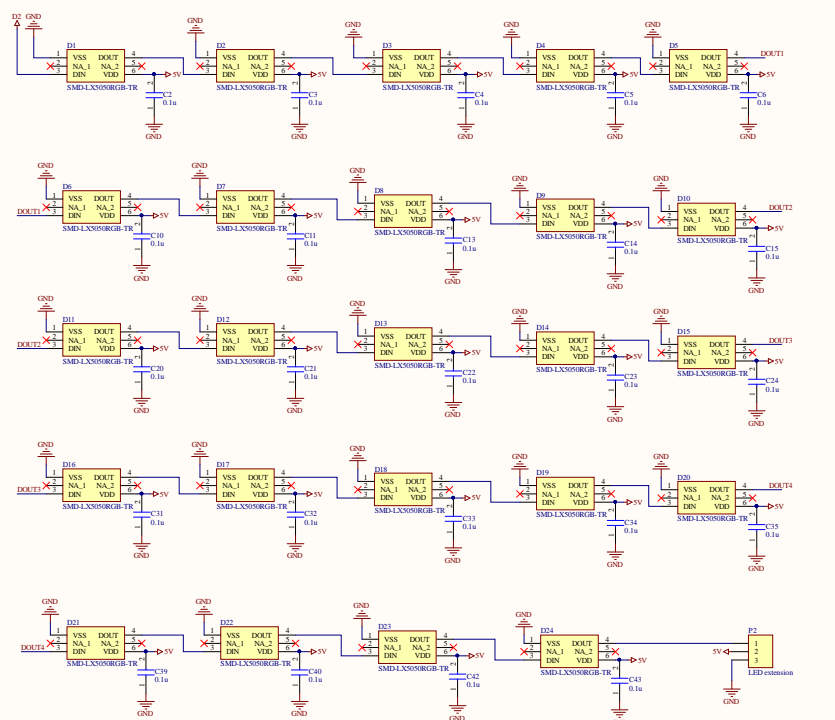


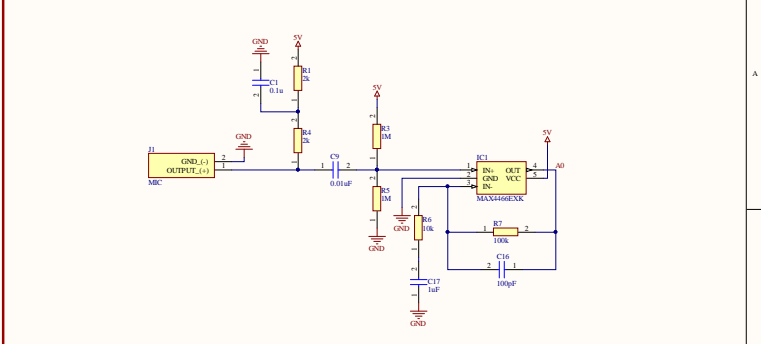
ATMEGA328P



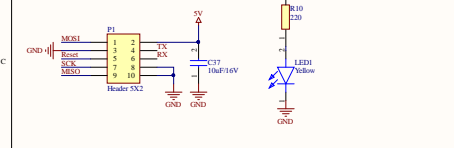
24 RGB LEDs



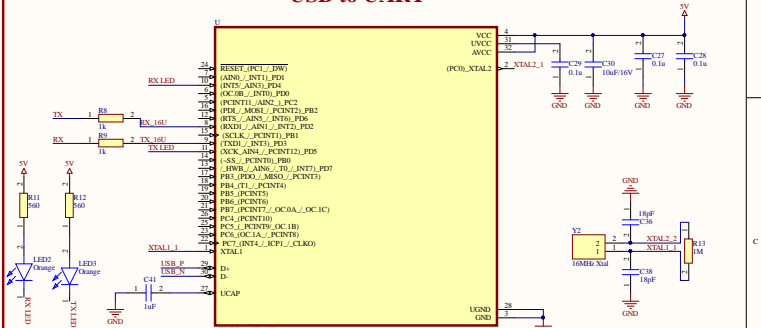
MicroPhone PreAmp



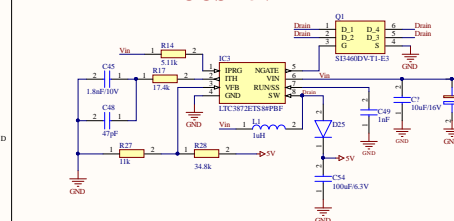
ICSP header



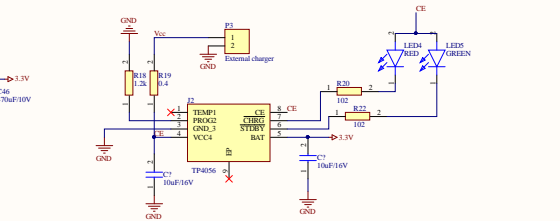
USB to UART



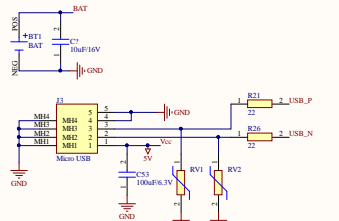
BOOST 5V 2A



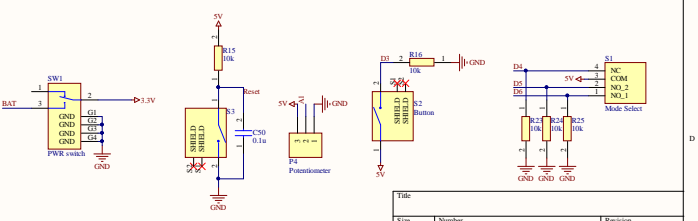
Charging Circuit



Micro USB & BAT



Switches and Buttons



Title			
Size	Number	Revision	
A			
Date:	12/1/2010	Sheet	of
File:	C:\Users\Short\MyDocs	1 from 10	

POWER SWITCH:



Potentiometer:



PUSH BUTTON:



18650 Battery Holder:



Mode Select: Instead of a rotatory switch i have used 3 way switch. If you think this is ok lemme know else I'll use a rotatory one.

