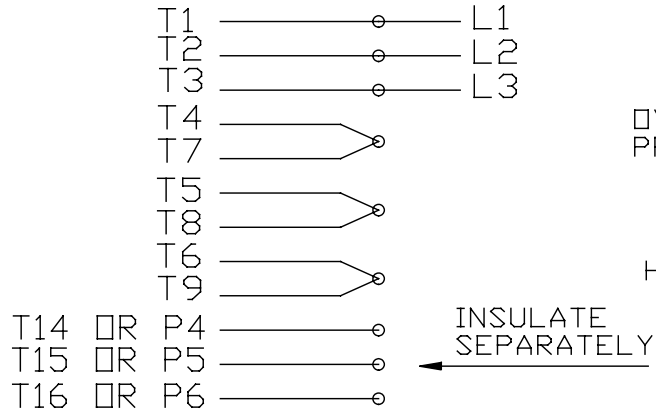
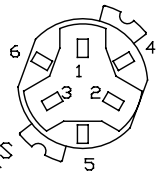


EE7335

HIGH VOLTAGE CONNECTIONS

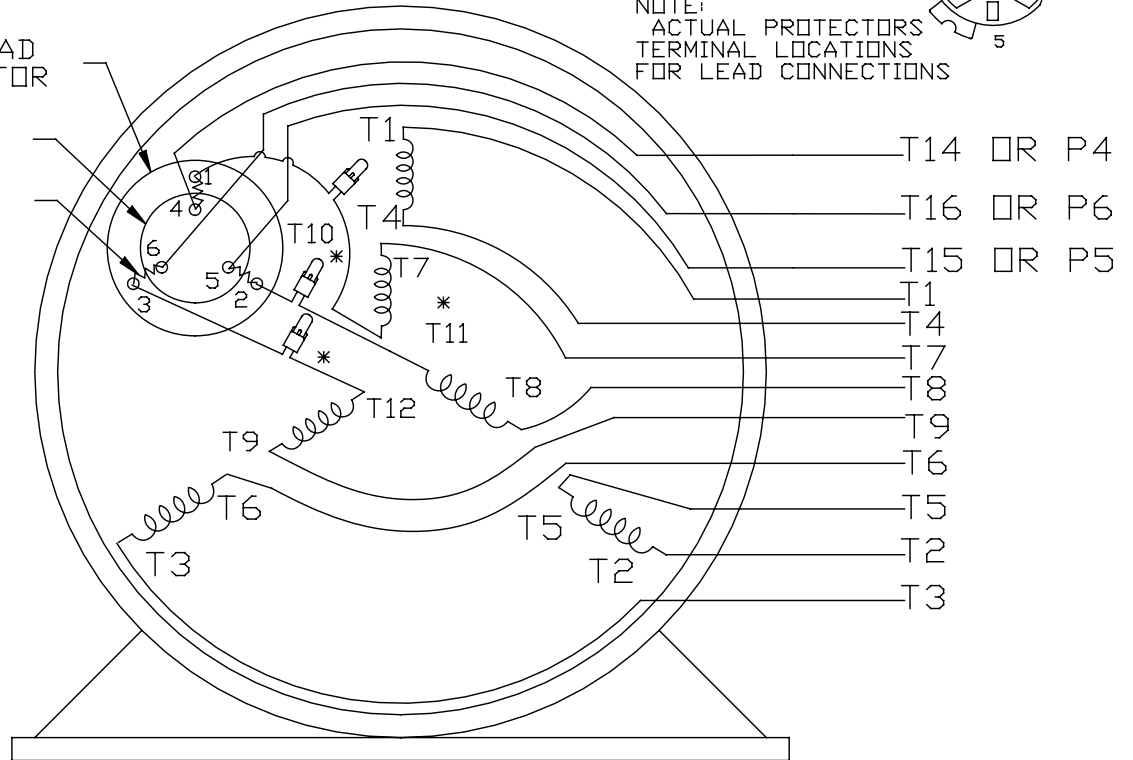


THREE PHASE - DUAL VOLTAGE MOTOR WITH OVERLOAD PROTECTOR



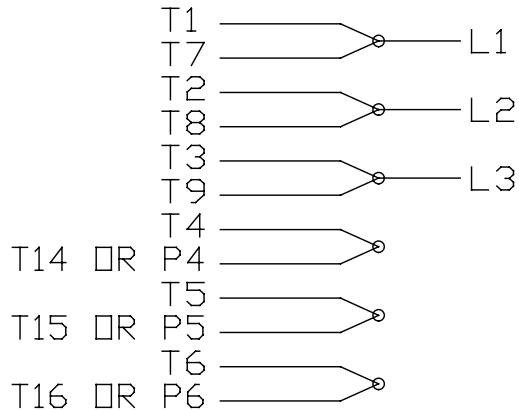
NOTE:
ACTUAL PROTECTORS
TERMINAL LOCATIONS
FOR LEAD CONNECTIONS

OVERLOAD
PROTECTOR
DISC
HEATER



VIEW OF TERMINAL END

LOW VOLTAGE CONNECTIONS



* USE PRESSURE CONNECTORS FOR MT2 PLANT ONLY

T2K
T4D
T6AN

NO.	REVISION	BY & DATE	CHK	TOLERANCES UNLESS SPECIFIED		FINISH	DRAWN	SCALE	REV.	
				DEC.	INCHES					
17	CHANGED LOGO FROM MARATHON TO REGAL	KIR 02/16/16	AB	DEC.	INCHES	Regal Beloit America, Inc.	KL	08-09-1993		
16	PRESSURE CONNECTORS QUANTITY WAS 6	PVR 10/29/13	GR	.X	±.1		CHK	ML	08/10/1993	
15	PRESSURE CONNECTORS ADDED	GR 03/04/13	SR	.XX	±.01		APPD	GK	08/10/1993	
14	ADDED ACTUAL PROECTOR VIEW CN 17481	KL 05/18/94		.XXX	±.005		TITLE		1=1	
13	REDRAWN IN AUTO CAD	KL 08/11/93		.XXXX	±.0005		3Ø-DUAL VOLT WITH OVERLOAD PROTECTO	REF		
				ANG	±1/2*	MAT'L.	FMF			
				RFP		FINISH	PREV			
				DIST		CAD FILE	EE7335	SIZE	DRAWING NO.	
							A	EE7335	17	

THIS DRAWING IN DESIGN AND DETAIL IS OUR PROPERTY AND MUST NOT BE USED EXCEPT IN CONNECTION WITH OUR WORK ALL RIGHTS OF DESIGN AND INVENTION ARE RESERVED THIS IS AN ELECTRONICALLY GENERATED DOCUMENT - DO NOT SCALE THIS PRINT