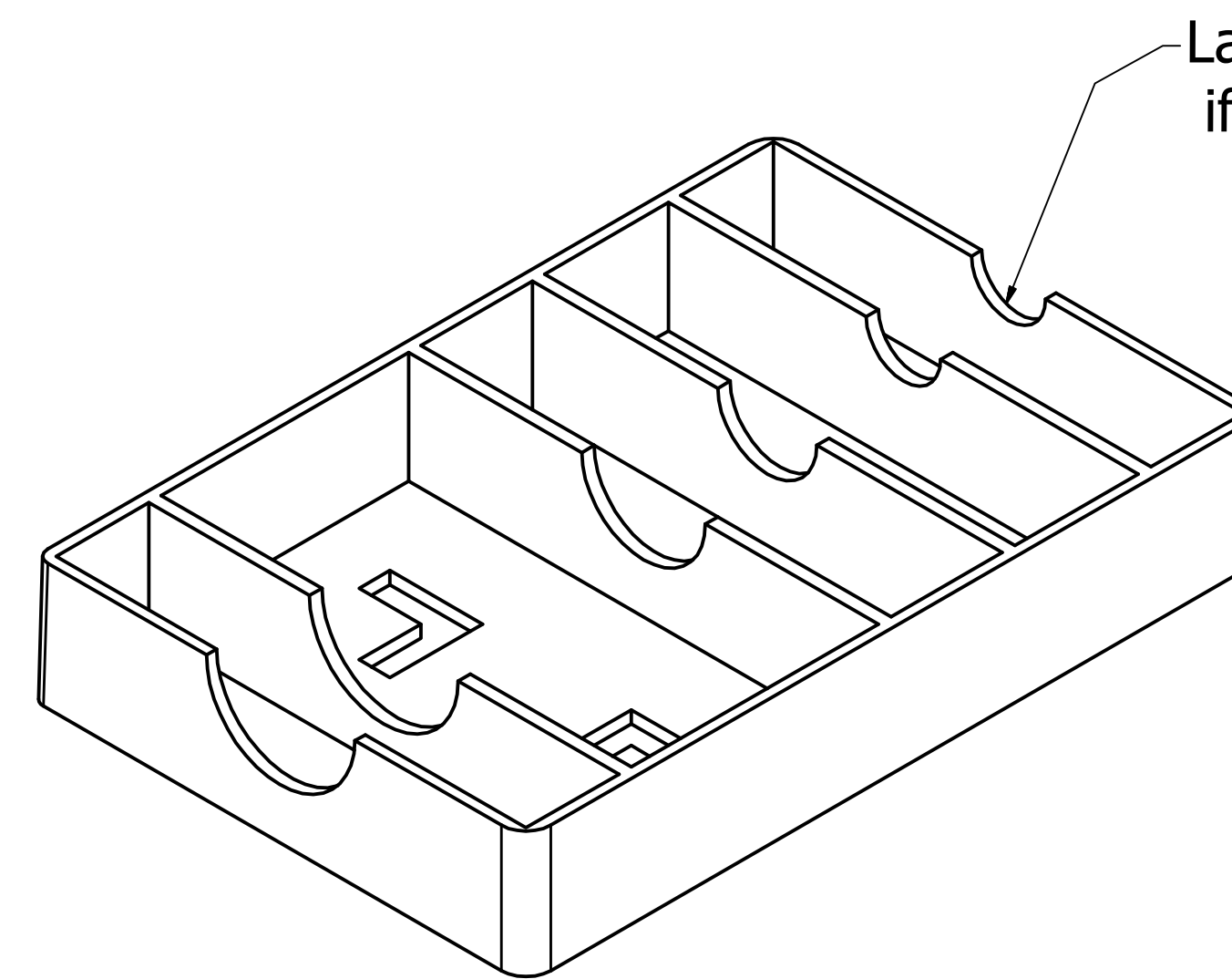
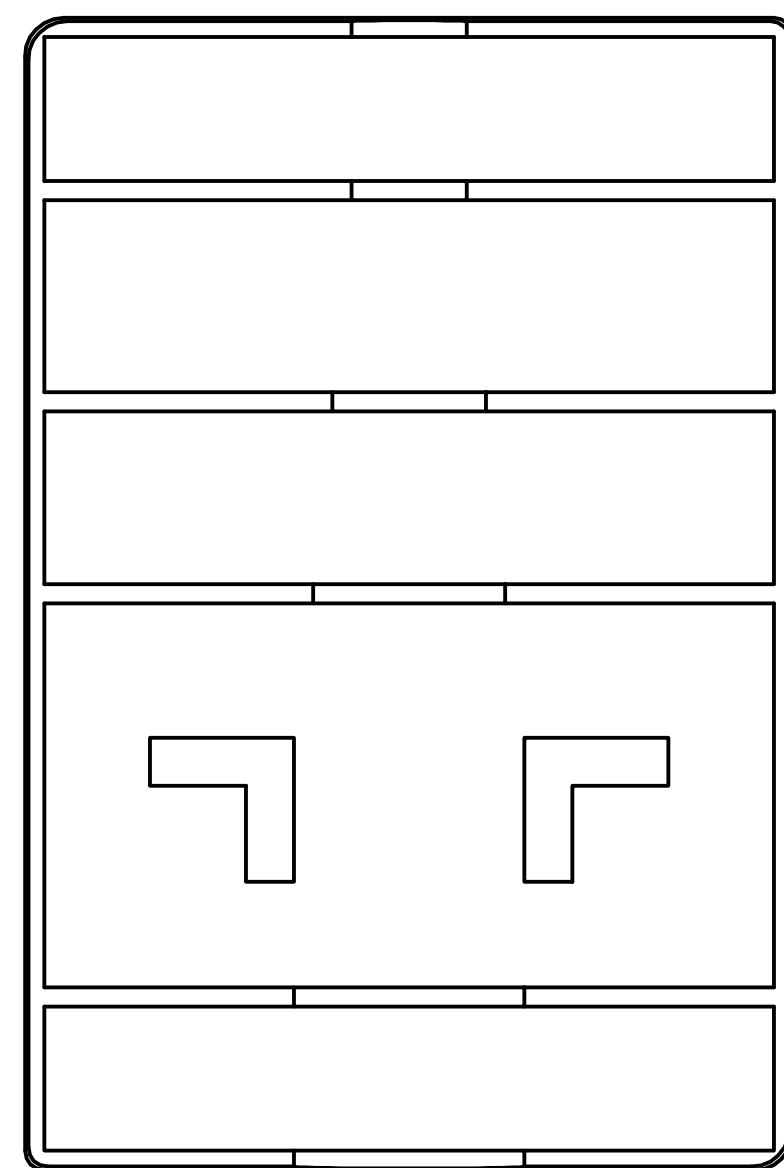


8 7 6 5 4 3 2 1

D

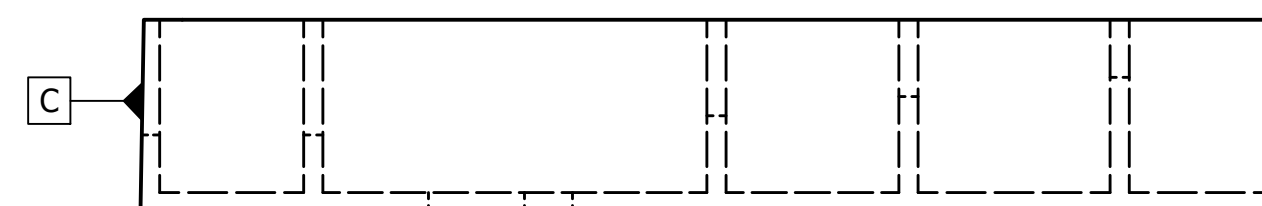
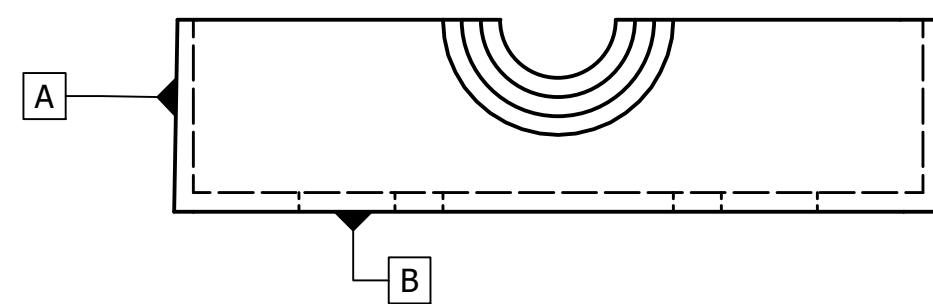
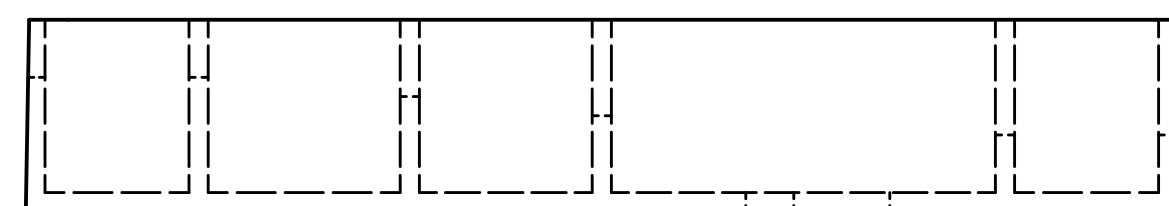
D



Last two cuts have same radius, how should i dimension them if i can't see both in the front view? Just do 2X R 0.3?

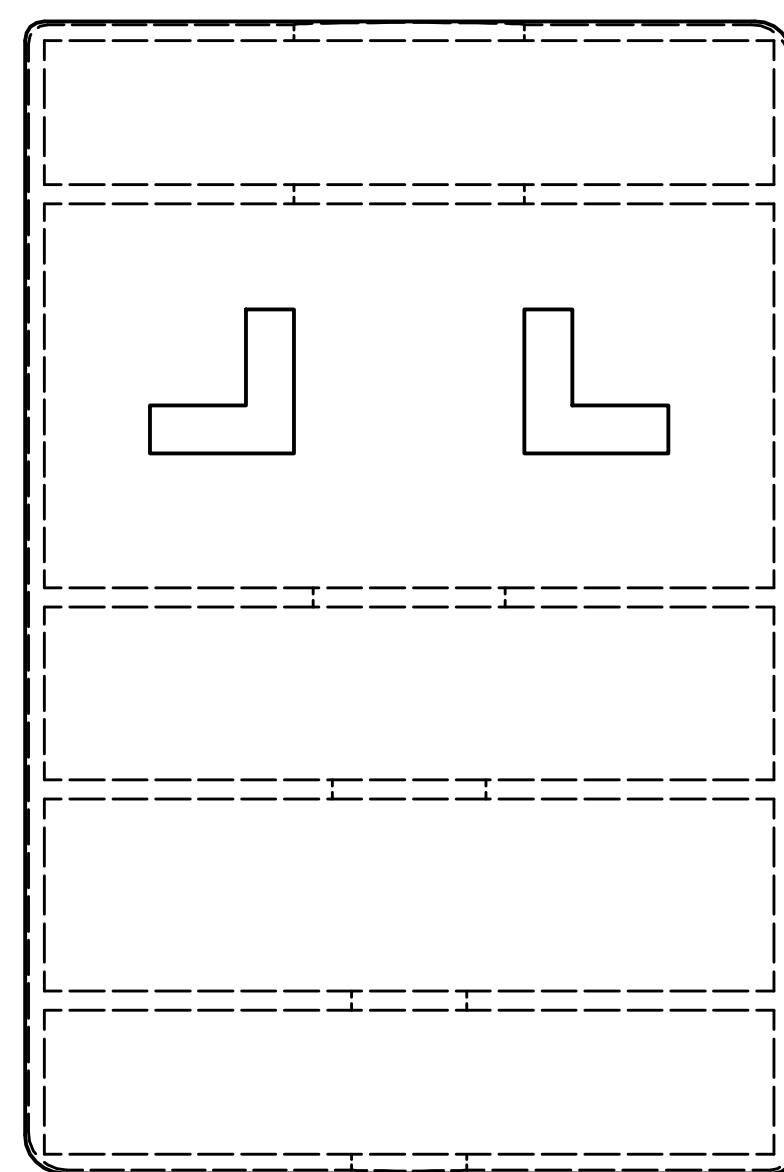
C

C



B

B



How should I set up datums when outside wall surfaces are tapered in at 1 degree?

Should I change Front View?

A

A

DRAWN Andrew	2/28/2019			
CHECKED		TITLE		
QA				
MFG				
APPROVED				
		SIZE D	DWG NO	REV
		SCALE 1 : 1	SHEET 1 OF 1	

8 7 6 5 4 3 2 1

