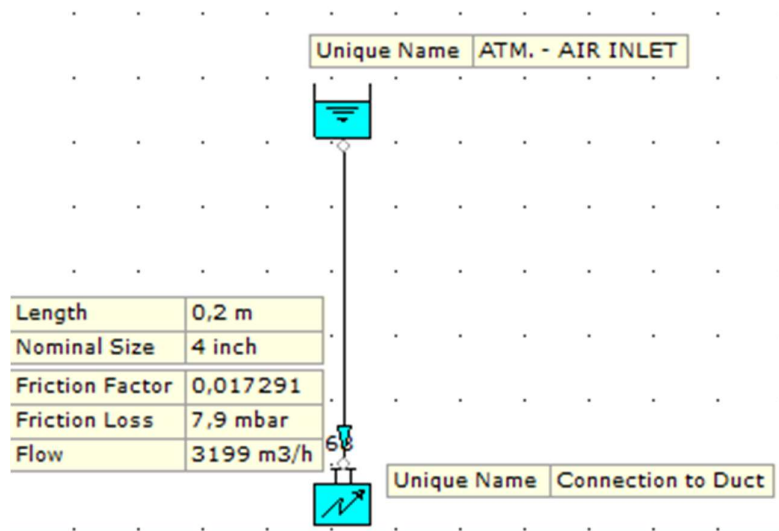
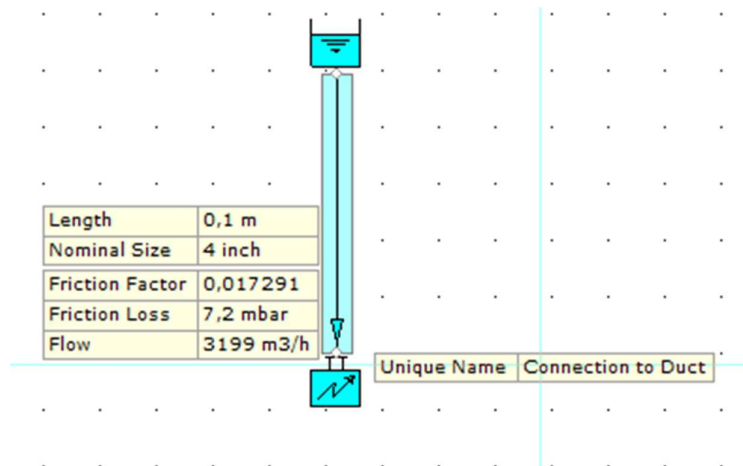


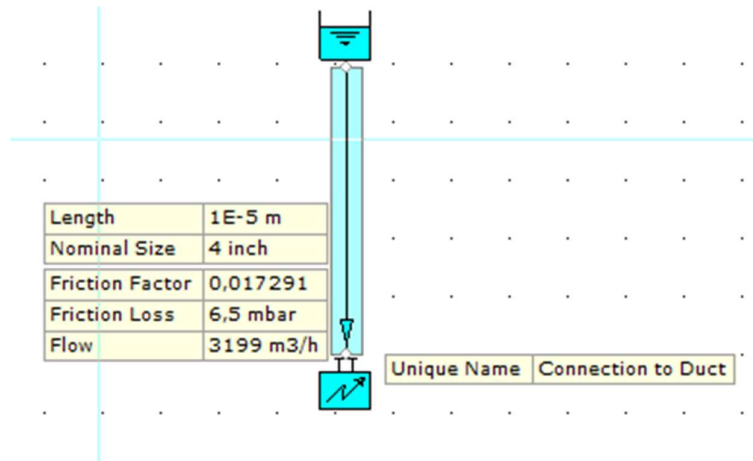
## Pipe length of 0,2m



## Pipe length 0,1m



## Pipe Length 0,00001m (hypothetical)



## Pipe Length 0,4m

